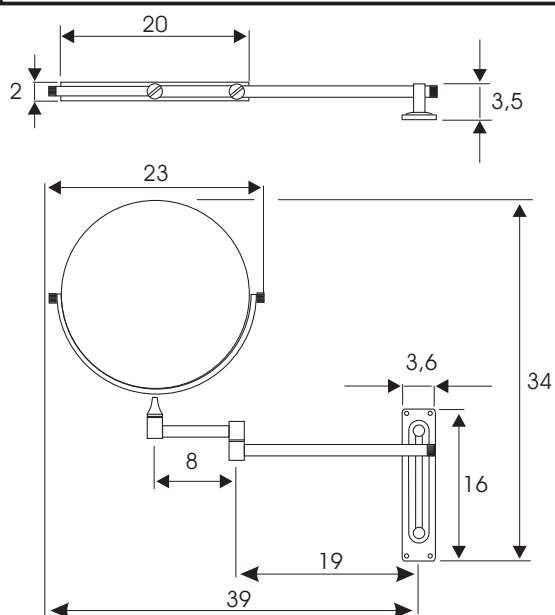




### Cod. 220

- Cosmetic double side mirror
- Entirely made of brass (not iron) to guarantee against rust
- Chrome finishing
- Normal mirror + mirror magnification 3x
- Vertical movement
- Double arm with clutch regulation

### Dimensions



Measure unit: cm

### Technical Sheet

|               |                     |
|---------------|---------------------|
| Material      | BRASS<br>(Not iron) |
| Magnification | 1X / 3X             |